

# GIOTTO

## Aluminium Traffic Light

Following with its tradition of continuous development of innovative products, fully compliant with the specifications of the most demanding markets, La Semaforica is proud to introduce its new Giotto signal head. Giotto is the first slim aluminium body signal head entirely made in Italy.

Giotto is available with 200 and 300 mm lenses and due to its thin and harmonic lines, coupled with a robust and durable frame, it blends in any urban context, giving a sense of refinement and elegance.



### CONSTRUCTION FEATURES

- Giotto has a modern and innovative design with thin lines with no rough edges. Its thin body reduces the aesthetic impact of the signal
- Full CE marking in accordance to EN12368:2006 with both coloured and neutral lenses
- Available with three different power sources each with normal and dimmerable function
- The maximum thickness of the signal head with 200 mm lenses is 110mm (which becomes 140 considering the lens itself. For the 300 mm, the thickness is 130 mm (177 including the lens)
- The body is an extruded aluminium profile, polished and treated. A metal bar holds the polycarbonate doors, each equipped with two spring locking points. The signal head is also equipped with two aluminium fixing brackets, fixed to the body with stainless steel screws
- Giotto is the unique aluminium body signal head equipped with individually openable doors that swing 90° with two locking points
- Equipped with optical LED IP65 monoblock series STARLED2 that guarantee maximum brightness and reliability combined with a high energy saving
- The hoods are attached to the body with three pressure locks and can be installed both vertically and horizontally
- The mounting brackets are also made of aluminium and feature a rotation preventing system. They are available in two lengths, 180 and 90 mm. They can be fixed both with screws and Band-it
- Simple to install both vertically and horizontally
- Vandal proof construction
- The body and the brackets are both painted with a paint resistant to environmental agent. The signal head is available in the following standard colours:

Black (RAL 9005)  
Green (RAL 6009)  
Gray (RAL 7035)

Other colours are available on request according to customer's choice

- Giotto can be installed with only the bottom bracket, with the top part of the body closed, without the mounting point of the bracket
- Masks with every symbol available
- Easy to maintain
- Degree of protection IP55
- Available with backing boards according to Italian and foreign rules
- A class II system of internal wiring
- Giotto is customizable on the bottom part of the body with a coloured metal plate engraved with the name and logo of the city of installation.

## TECHNICAL FEATURES

Material	Aluminium Bayer® Makrolon® UV-stabilized polycarbonate
Impact Resistance	Acc.to EN60598-1 Class IR3 Acc. to EN12368:2006
IP rating	IP55 Acc. to EN60529 Class IV Acc. to EN12368:2006
Standard Colours	Black (RAL 9005) Green (RAL 6009) Gray (RAL 7035) Yellow Orange Other colours or combination front-backside available on request
Diameters	200mm 300mm
Optic	200mm and 300mm Starled2 Modules
Temperature range	-40°C +60°C Acc. to EN60068-2-1-14 Class A,B,C Acc. to EN12368:2006
Vibration resistance	Acc. to EN60068-2-64
Damp heat resistance	Acc. to EN60068-2-30
Signal light with symbol	Class S1
Background screen of signal light	Class C1, C2, C3, C4

## ENERGY SAVING\*

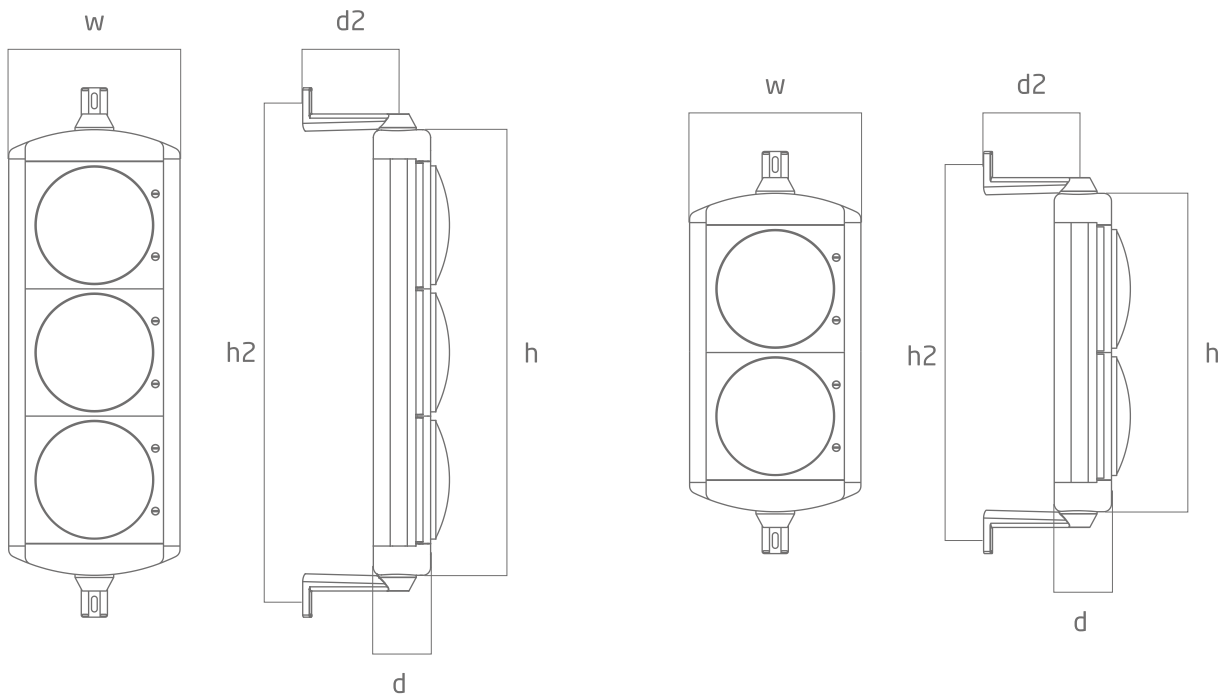
TRAFFIC SIGNAL HEAD	Ø 200 mm	yearly consumption	Ø 300 mm	yearly consumption
Consumption with incandenscent lamps	70 W	613 kWh	100W	876 kWh
Consumption with Leds	7 W	61 kWh	7 W	61 kWh
Energy saving		90%		93%

\*Data based on the comparison between signal heads with incandescent lamps and signal heads with Starled2 led lamps, for illustrative purposes only.





## DIMENSIONAL DRAWINGS



Lens Diameter	Number of Aspects	w	h	h2	d	d2	weight Kg
200mm	1	327,6	362	473,5 ±10	109,5	184 / 110	4,8
	2		605	717 ±10			7
	3		850,6	962 ±10			10,2
300mm	1	432,8	464,8	575 ±10	130,5	184 / 110	9,3
	2		968	918 ±10			12,4
	3		1152	1262 ±10			18,6

All the dimensions are in mm.